

# RB-I BASE



MOBILE PLATFORM DESIGNED  
FOR INDOOR APPLICATIONS

THE ROBOT **CAN CARRY 50 KG** &  
INTEGRATE DIFFERENT SENSORS

LOGISTICS

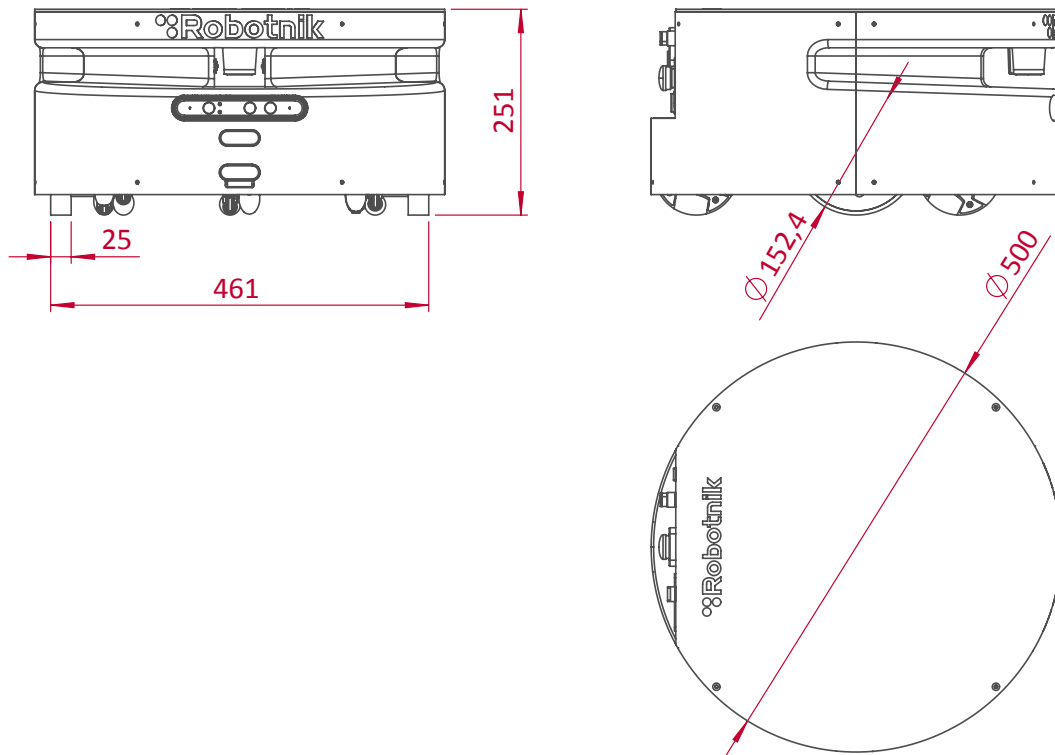
INDUSTRIAL TASKS

RESEARCH & DEVELOPMENT

**OPTIONS**

AUTOMATIC RECHARGING STATION  
LIFTING UNIT





## TECHNICAL SPECIFICATIONS

### MECHANICAL

Dimensions **∅ 500 x 251 mm**

Dimensions (with optional lifting unit) **∅ 515 x 303-338 mm**

Weight **30 Kg**

Payload **50 Kg**

Speed **1,5 m/s**

Enclosure class **IP51**

Autonomy **10 h continuous motion**

Temperature Range **0°C to +50°C**

Max. Slope **8 %**

Batteries **LiFePO<sub>4</sub> 30Ah@24V**

Traction motors **2 x 250 W servo motors**

Traction system **Differential drive**

### CONTROL

Controller **Open architecture ROS  
Embedded PC with Linux**

Communication **WiFi 802.11ac  
4G**

Connectivity **2 x USB, 1 x Ethernet  
and 1 x HDMI**