

# RB-VULCANO IO



MOBILE MANIPULATOR  
FOR **INDUSTRIAL APPLICATIONS**

LOGISTICS, WAREHOUSES & OTHERS

INDUSTRIAL APPLICATIONS

APPLICATIONS IN HARSH  
ENVIRONMENTS

### **OPTIONS**

DOCKING STATION

MAGNETIC GUIDANCE SENSORS

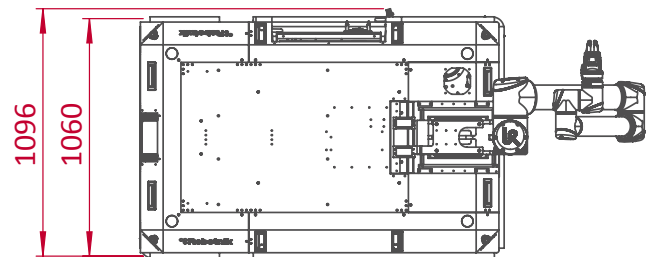
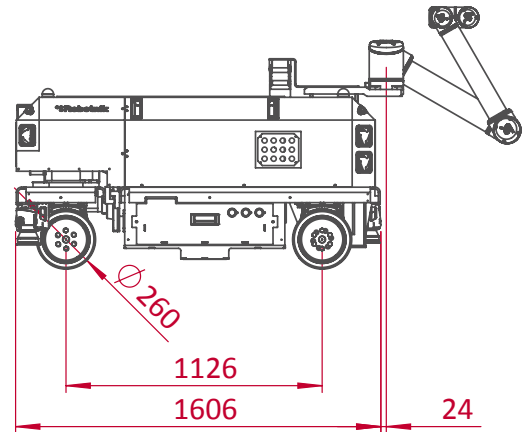
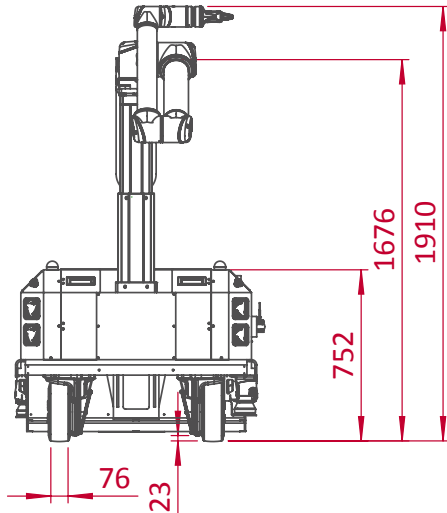
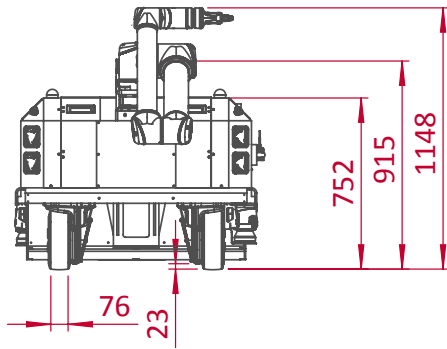
LIFTING UNIT

DIGITAL & ANALOG

I / O MODULE



# RB-VULCANO IO



## TECHNICAL SPECIFICATIONS

### MECHANICAL

Dimensions	<b>1.606 x 1.096 x 1.148 mm (Folded)</b>
Weight	<b>850 kg</b>
Payload	<b>1.750 kg</b>
Speed	<b>1 m/s</b>
Environment	<b>Indoor</b>
Enclosure class	<b>IP21</b>
Traction system	<b>Single Ackermann Dual Ackermann Omni-drive (swerve drive)</b>
Traction motors	<b>4 x 1200 W</b>
Direction motors	<b>4 x 500 W</b>
Batteries	<b>LiFePO<sub>4</sub> 200Ah@48V</b>
Temperature range	<b>0° to +45°C</b>

### CONTROL

Controller	<b>Open architecture ROS Embedded PC with Linux</b>
Communication	<b>WiFi 802.11n</b>
Connectivity	<b>On demand</b>

### ARM

Weight	<b>28,9 kg</b>
Payload	<b>10 kg</b>
Reach	<b>1.300 mm</b>

### EGP 40 CO ACT

(Optional gripper)	
Weight	<b>0,7 kg</b>
Gripping force	<b>35-140 N</b>
Stroke	<b>6 mm</b>

### ELEVATION SYSTEM

Stroke	<b>750 mm</b>
--------	---------------

