

XL-GEN



MOBILE MANIPULATOR
FOR **RESEARCH**
& **DEVELOPMENT**

RESEARCH & DEVELOPMENT

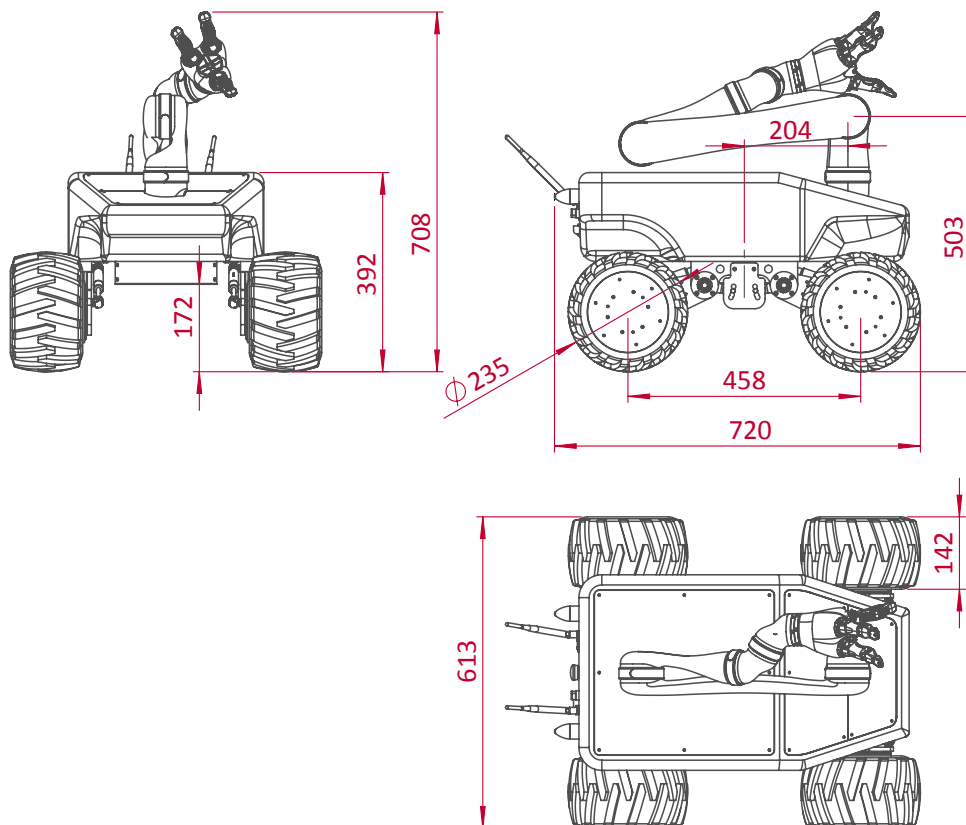
INSPECTION

LOGISTICS

REMOTE MONITORING

ACCESS TO HARSH ENVIRONMENTS





TECHNICAL SPECIFICATIONS

MECHANICAL

Dimensions	720 x 613 x 708 mm (Folded)
Weight	50 Kg
Payload	15 kg
Speed	3 m/s
Environment	Indoor/Outdoor
Enclosure class	IP54
Autonomy	5-10 h
Batteries	LiFePO₄ 15Ah@24V
Traction system	4 wheels
Traction motors	4 x 250 W brushless servomotors
Temperature range	0° to +50°C
Max. slope	80 %

CONTROL

Controller	Open architecture ROS Embedded PC with Linux
Communication	WiFi 802.11n
Connectivity	Internal: USB, RS232 and GPIO External: USB, RJ45 and power supply 12 VDC

Arm load capacity (Kinova)

6 DOF 2,6 Kg (Half range)
2,2 Kg (Complete Range)

7 DOF 2,4 Kg (Half range)
2,1 Kg (Complete Range)

Arm reach

6 DOF 900 mm

7 DOF 984 mm