

**ELI**



## **AUTONOMOUS SHOPPING CART**

LOGISTICS  
RETAIL

OPERATING MODES  
**AUTONOMOUS**

THE ROBOT NAVIGATES AUTONOMOUSLY TO  
THE POSITIONS SELECTED BY THE USER

**MANUAL**

THE ROBOT MOVES THROUGH ITS  
JOYSTICK IN PANEL

**FOLLOW-UP**

THE ROBOT FOLLOWS  
THE USER AVOIDING ENTERING  
INTO EXCLUSION ZONES

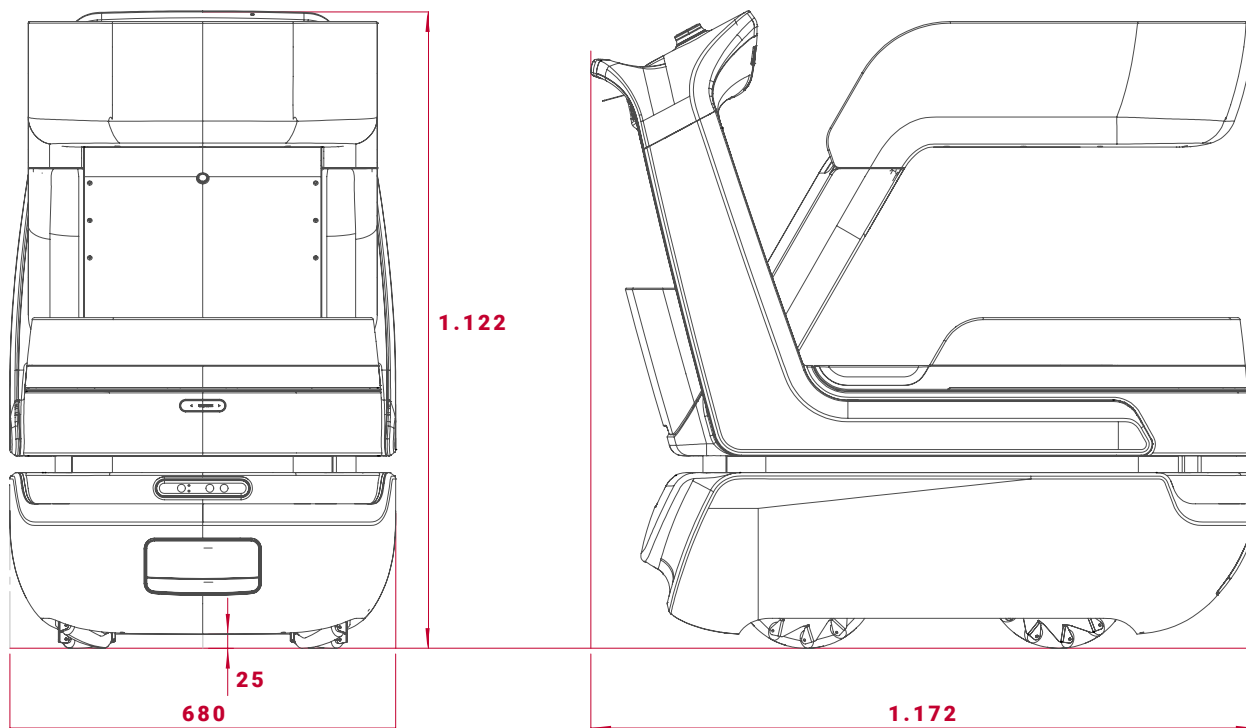
OTHER FEATURES  
BAR CODE READER FOR  
AUTOMATIC PAYMENT

ANDROID HMI

MOBILE PHONE CHARGER

ADJUSTABLE CART HEIGHT





TECHNICAL SPECIFICATIONS

MECHANICAL

CONTROL

Dimensions **1.172 x 680 x 1.122 mm**

Weight **140 Kg**

Load capacity **80 Kg**

Speed **2,5 m/s (limited to 1,25 m/s)**

Autonomy **6 h continuous motion**

Recharge **<2 h**

Kinematics **Omnidirectional**

Recognition distance  
for follow-up **5 m**

Operating temperature **0°C to 45°C**

Enclosure class **IP52/IP54**

Controller **CPU ROS**

Communication **Wifi/4G**

Connectivity **USB/ETH**