



RB-VOGUI+

AUTONOMOUS MOBILE MANIPULATOR

INDOOR & OUTDOOR
LOGISTICS APPLICATIONS

VERSATILITY & **HIGH MOBILITY**

INDUSTRIAL APPLICATIONS

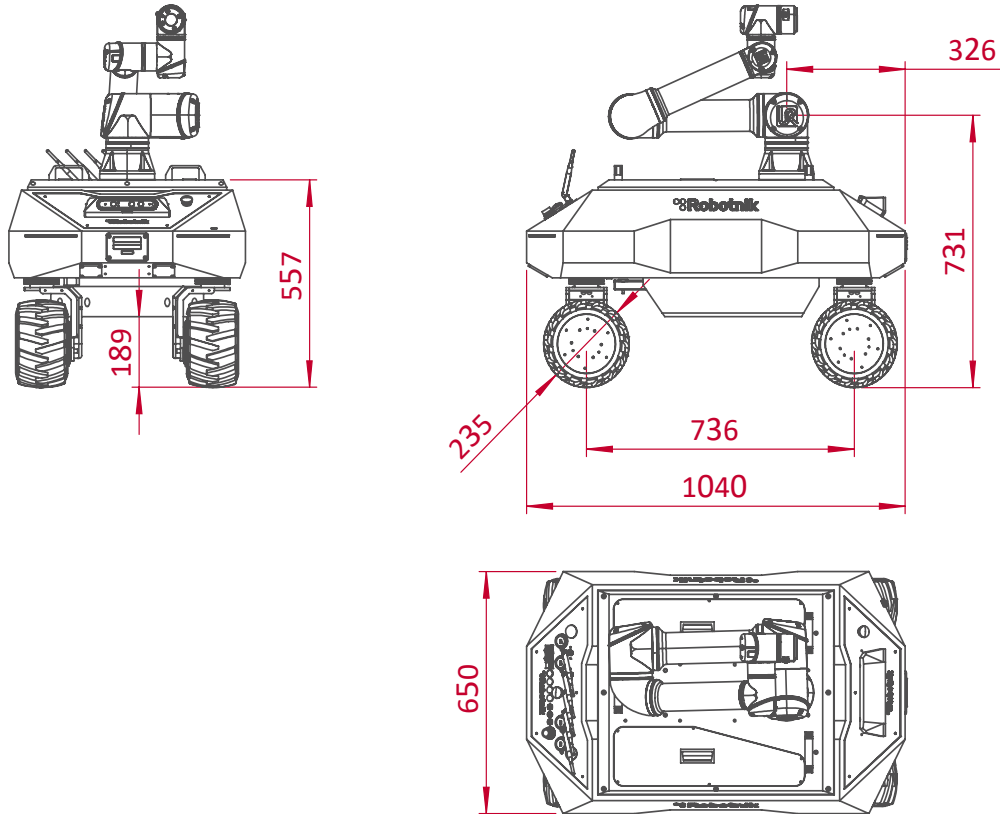
AGRICULTURE

MILITARY

ORDER PREPARATION DELIVERY

PICKING & TRANSPORT





TECHNICAL SPECIFICATIONS

MECHANICAL

Dimensions	1.040 x 650 x 731 mm
Weight	165 Kg + 20,6 Kg
Speed	2,5 m / s
Environment	Indoor / Outdoor
Autonomy	Up to 6 h
Batteries	LiFePO₄30Ah@48V
Traction motors	4 x 500 W
Steering motors	2 x 100 W Ackermann 4 x 100 W OMNI 4
Temperature range	-10°C to +45°C
Payload	Up to 120 Kg
Max. Slope	47 %

CONTROL

Controller	Open architecture ROS Integrated PC with Linux
Communication	WiFi 802.11n
Connectivity	Internal: USB, RS232, RJ45 External: 2x USB, 2x RJ45, 2X hdmi + USD, 5, 12 and 48v