

SUMMIT-XL STEEL

AUTONOMOUS MOBILE ROBOT (AMR)



MOBILE ROBOT WITH A
MECHANICAL STEEL STRUCTURE
THAT ALLOWS **CARRYING HEAVY
LOADS UP TO 250 KG**

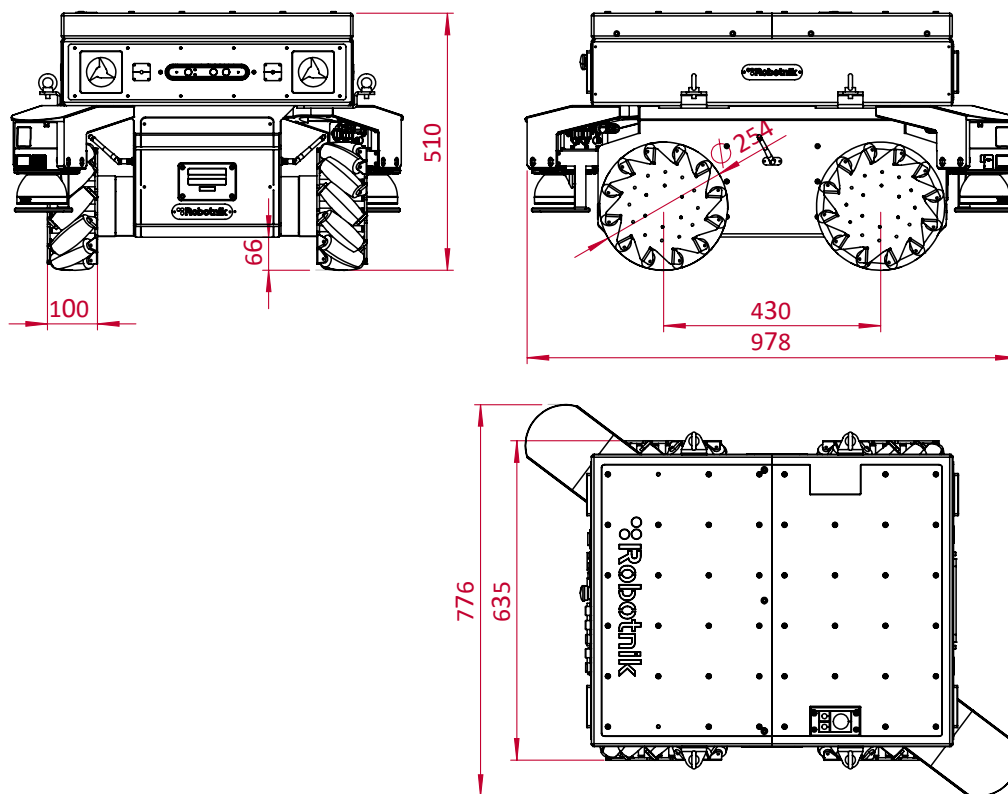
INDUSTRIAL APPLICATIONS

LOGISTICS

SURVEILLANCE & MONITORING

RESEARCH & DEVELOPMENT





TECHNICAL SPECIFICATIONS

MECHANICAL

Dimensions	978 x 776 x 510 mm
Weight	105 kg
Payload	130 kg / 250 kg
Speed	3 m / s
Environment	Indoor
Enclosure class	IP52 / IP64
Autonomy	6 / 12 h
Batteries	LiFePO₄ 15/30Ah@48VDC
Traction motors	4 x 500 W Brushless servomotors with safety brake
Temperature range	0° to +50°C
Max. slope	30 %

CONTROL

Controller	Open architecture ROS Integrated CPU with Linux
Communication	WiFi 02.11a / b / g / n / ac Bluetooth 5.1
Connectivity	Internal: USB, RS232 and GPIO External: USB, RJ45, power supplies 5, 12 VDC and battery