

RB-THERON

AUTONOMOUS MOBILE ROBOT (AMR)



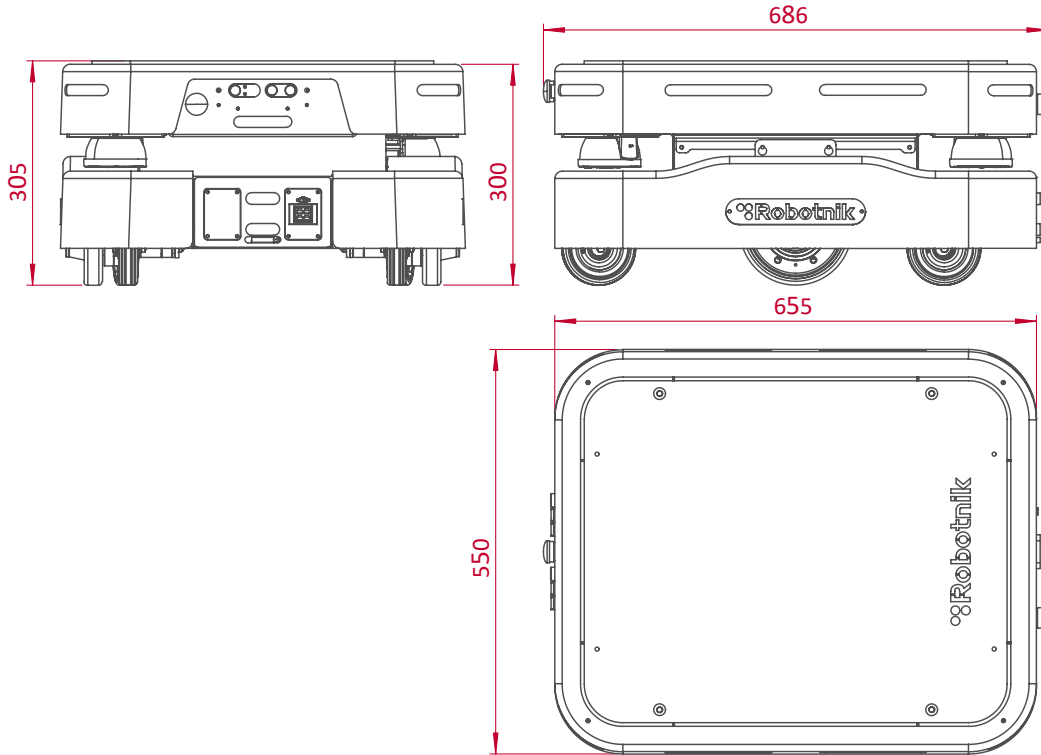
DESIGNED FOR **INDOOR APPLICATIONS**

THE ROBOT CAN **CARRY 200 KG** & INTEGRATE DIFFERENT SENSORS

LOGISTICS
INDUSTRIAL TASKS
RESEARCH & DEVELOPMENT

OPTIONS
AUTOMATIC RECHARGING STATION
LIFTING UNIT (Q2 2022)





TECHNICAL SPECIFICATIONS

MECHANICAL

Dimensions **686 x 550 x 305 mm**
(without optional lifting unit) (L x W x H)

Weight **45 Kg**

Payload **200 Kg**

Speed **1,25 m/s**

Enclosure class **IP51**

Autonomy **8 h (industrial use case)**

Batteries **15Ah @ 48VDC**

Temperature Range **0°C to + 40°C**

Max. Slope **10 %**

Traction system **Differential drive**

CONTROL

Controller **CPU ROS (Intel i7)**

Communication **WiFi 802.11ac (4G optional)**

Connectivity **2 x USB, 2 x Ethernet and 1 x HDMI (lateral panel)**
3 x Ethernet, 2 x USB and DC power output (top panel)