

RB-VOGUI 6

AUTONOMOUS MOBILE ROBOT (AMR)



INDOOR & OUTDOOR
LOGISTICS APPLICATIONS

VERSATILITY & **HIGH MOBILITY**

INDUSTRIAL APPLICATIONS

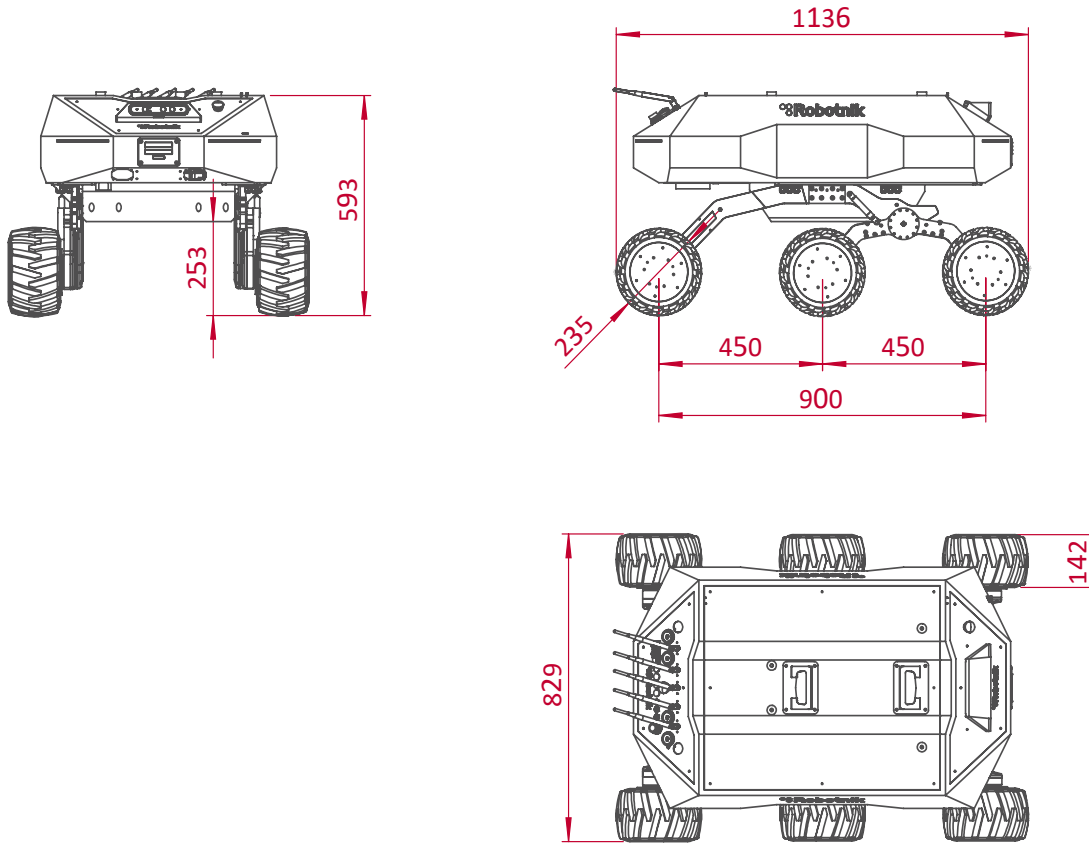
AGRICULTURE

MILITARY

ORDER PREPARATION DELIVERY

PICKING & TRANSPORT





TECHNICAL SPECIFICATIONS

MECHANICAL

Dimensions	1.136 x 829 x 593 mm
Weight	142 Kg
Speed	2,5 m / s
Environment	Indoor / Outdoor
Autonomy	Up to 7 h
Batteries	LiFePO4 30Ah@48V
Traction motors	6 x 500 W
Temperature range	-10°C to +45°C
Payload	Up to 150 Kg
Max. Slope	47 %

CONTROL

Controller	Open architecture ROS Integrated PC with Linux
Communication	WiFi 802.11n
Connectivity	Internal: USB, RS232, RJ45 External: 2x USB, 2x RJ45, 1x hdmi + USD, 5, 12 y 48v power supplies