

# RB-EKEN IO

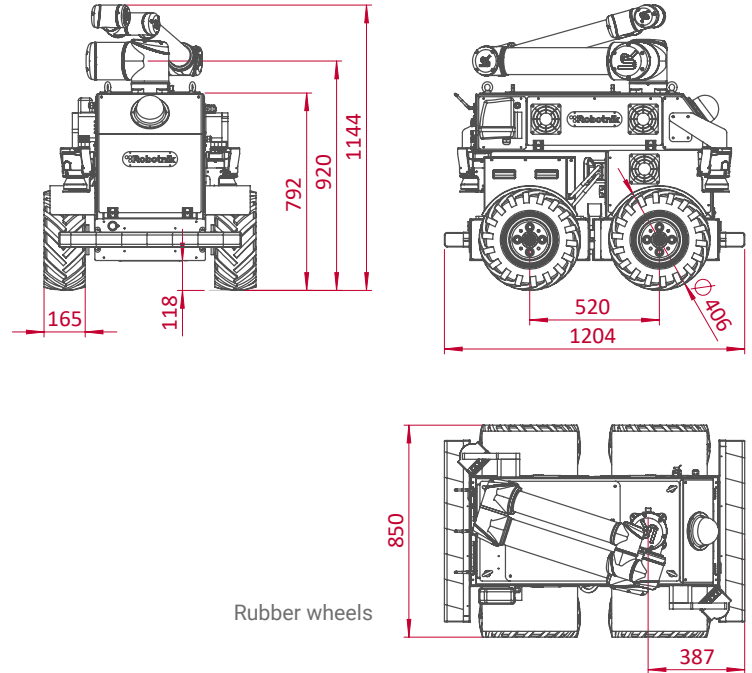
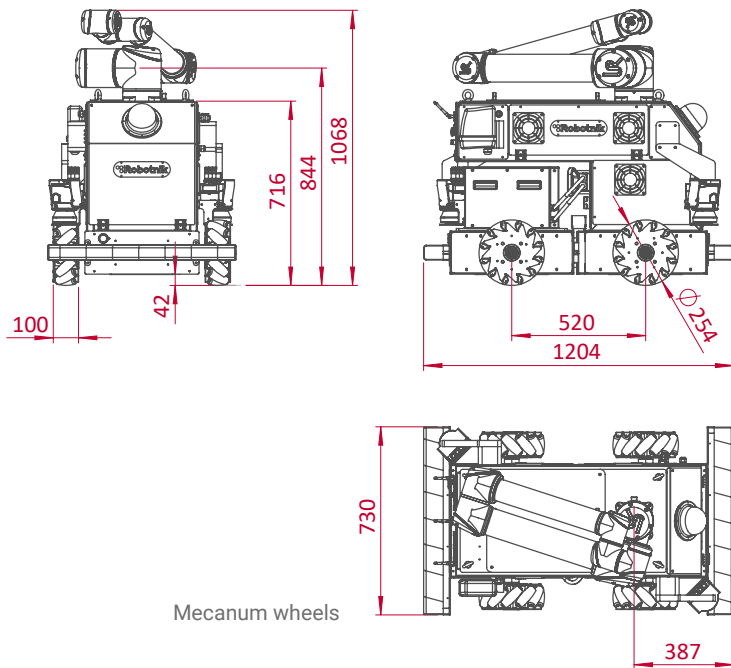


COMPLETELY INTEGRATED  
**COLLABORATIVE MOBILE  
MANIPULATOR (CMM) FOR  
INDUSTRIAL TASKS**

INDUSTRIAL MOBILE MANIPULATION

PICK & PLACE  
LOADING / UNLOADING  
POSITIONING OF WORKPIECES  
ASSEMBLY  
SCREWING  
DRILLING / MILLING  
INSPECTION AND CHECK





## TECHNICAL SPECIFICATIONS

### MECHANICAL

Dimensions (mecanum wheels)	<b>1.204 x 730 x 1.068 mm (Folded)</b>
Weight	<b>280 kg</b>
Payload	<b>300 kg</b>
Speed	<b>2 m/s</b>
Environment	<b>Indoor/Outdoor</b>
Autonomy	<b>4 h continuous motion</b>
Batteries	<b>LiFePO<sub>4</sub> 60Ah@48V</b>
Motors	<b>4 x 1,2 kW</b>
Temperature range	<b>0° to +40°C</b>
Max. slope	<b>60 % (with outdoor wheels)</b>

### CONTROL

Controller	<b>Open architecture ROS Integrated PC with Linux</b>
Communication	<b>WiFi 802.11n</b>
Connectivity	<b>RJ45, USB, HDMI</b>

### ARM

Weight	<b>28,9 kg</b>
Payload	<b>10 kg</b>
Reach	<b>1.300 mm</b>