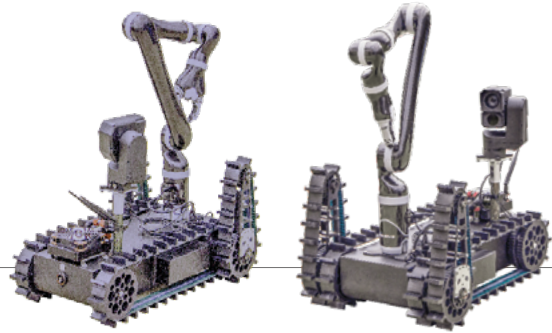


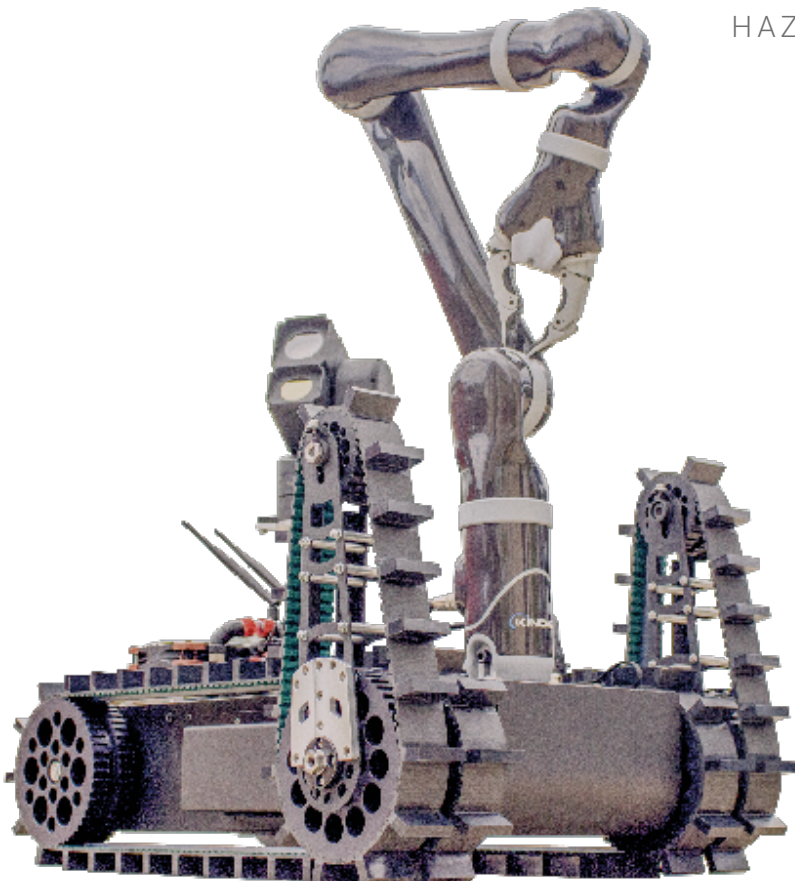
RISING

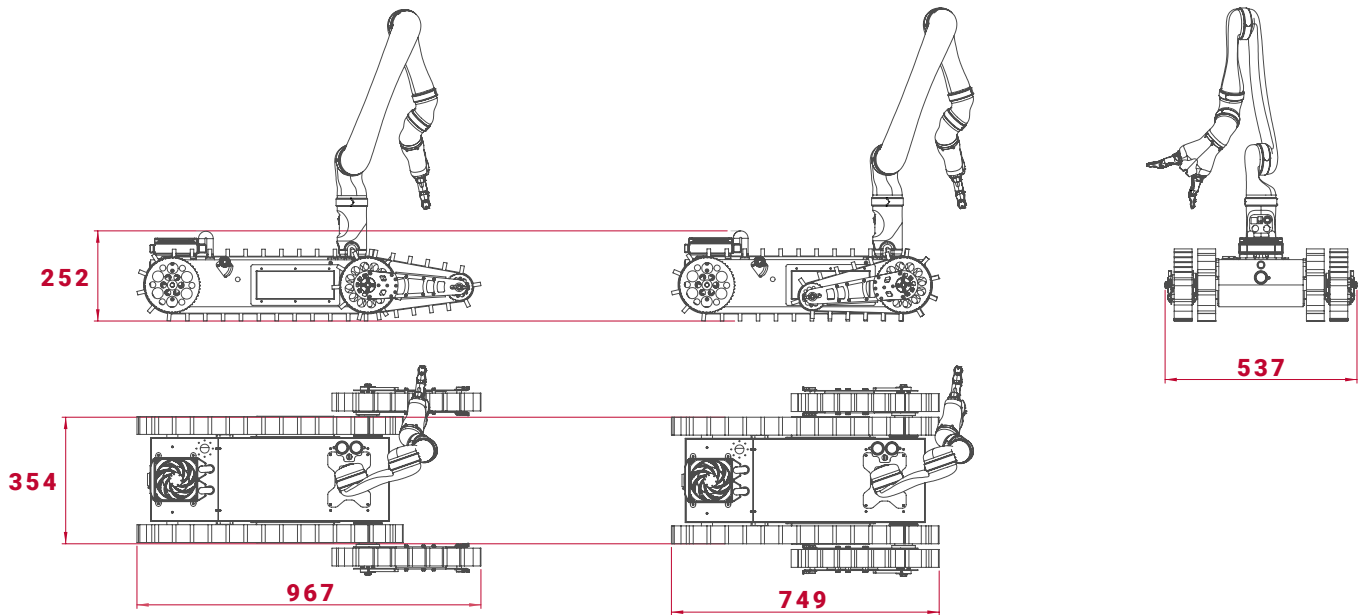


MOBILE MANIPULATOR
SPECIALLY DESIGNED FOR
INTERVENTION, RECONNAISSANCE
& **EOD MISSIONS.**

WE CAN HIGHLIGHT ITS HIGH
MOBILITY AND DEXTERITY

- LAW ENFORCEMENT & FIRST RESPONDERS INTERVENTION
- RESCUE AND SURVEILLANCE
- REMOTE MONITORING
- HAZARDOUS ENVIRONMENTS





TECHNICAL SPECIFICATIONS

MECHANICAL

Dimensions	749mm x 537mm x 252mm (Folded) 967mm x 537mm x 252mm (Spread out)	Traction system	2 tracks and 2 flippers
Weight	37 kg (without arm) 42 kg (with arm)	Autonomy	3,5 h
Platform payload	20 Kg	Batteries	LiPO48V
Speed	2,5 m/s	Temperature range	0°C to +50°C
Enclosure class	IP65 (without arm)	Max. slope	80 %

CONTROL

Controller	Open architecture ROS Embedded PC with Linux	Connectivity	Internal: USB, RS232, Ethernet, WiFi, CANBus
Communication	Multiprotocol system: Cable/WiFi		

ROBOTIC ARM

Degrees of freedom (DOF)	Wrist angle	Weight	Payload (mid-range)	Reach	Average power consumption
7 spherical	90°	5,5 kg	2,4 kg	98,4 cm	25W
6 spherical	90°	4,4 kg	2,6 kg	94,8 cm	
6	60°	4,4 kg	2,4 kg	90,0 cm	
4	60°	3,6 kg	4,4 kg	75,0 cm	