

ELI



AUTONOMOUS SHOPPING CART

LOGISTICS
RETAIL

OPERATING MODES
AUTONOMOUS

THE ROBOT NAVIGATES AUTONOMOUSLY TO
THE POSITIONS SELECTED BY THE USER

MANUAL

THE ROBOT MOVES THROUGH ITS
JOYSTICK IN PANEL

FOLLOW-UP

THE ROBOT FOLLOWS
THE USER AVOIDING ENTERING
INTO EXCLUSION ZONES

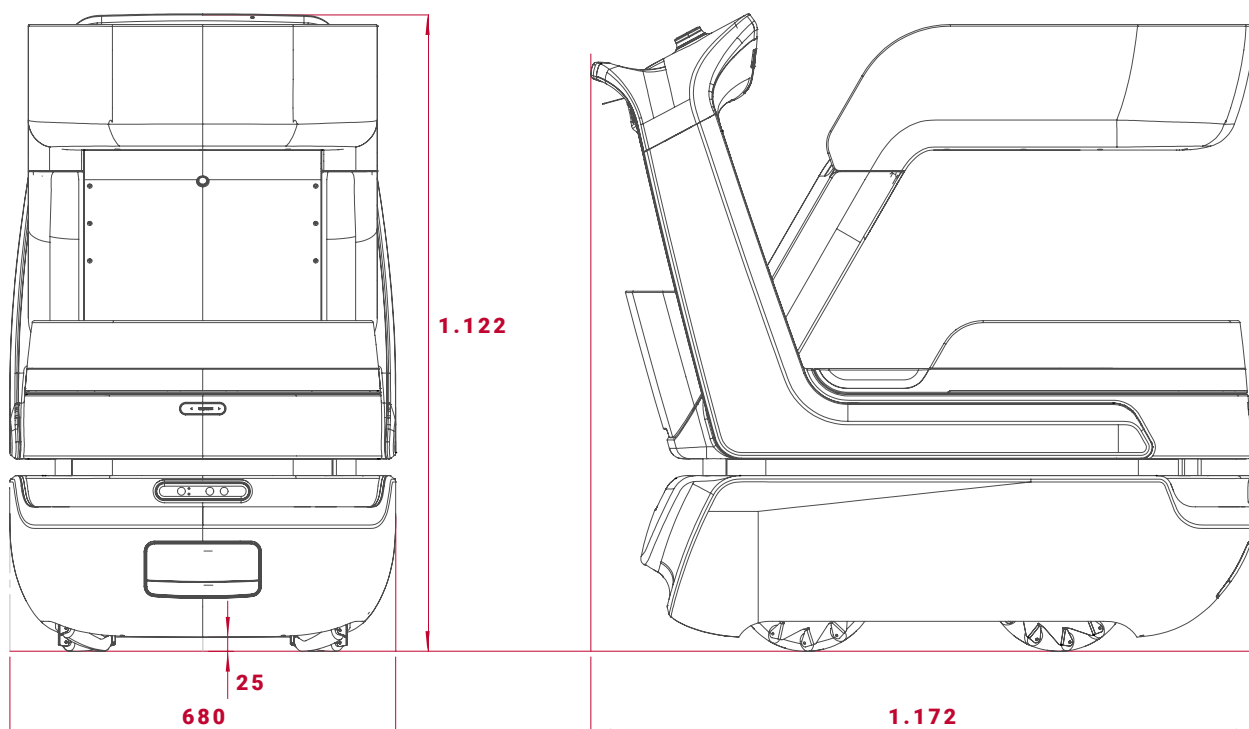
OTHER FEATURES
BAR CODE READER FOR
AUTOMATIC PAYMENT

ANDROID HMI

MOBILE PHONE CHARGER

ADJUSTABLE CART HEIGHT





TECHNICAL SPECIFICATIONS

MECHANICAL

Dimensions **1.172 x 680 x 1.122 mm**

Weight **140 Kg**

Load capacity **80 Kg**

Speed **2,5 m/s (limited to 1,25 m/s)**

Autonomy **6 h continuous motion**

Recharge **<2 h**

Kinematics **Omnidirectional**

Recognition distance
for follow-up **5 m**

Operating temperature **0°C to 45°C**

Enclosure class **IP52/IP54**

CONTROL

Controller **CPU ROS**

Communication **Wifi/4G**

Connectivity **USB/ETH**