

XL-GEN



MOBILE MANIPULATOR
FOR **RESEARCH**
& **DEVELOPMENT**

RESEARCH & DEVELOPMENT

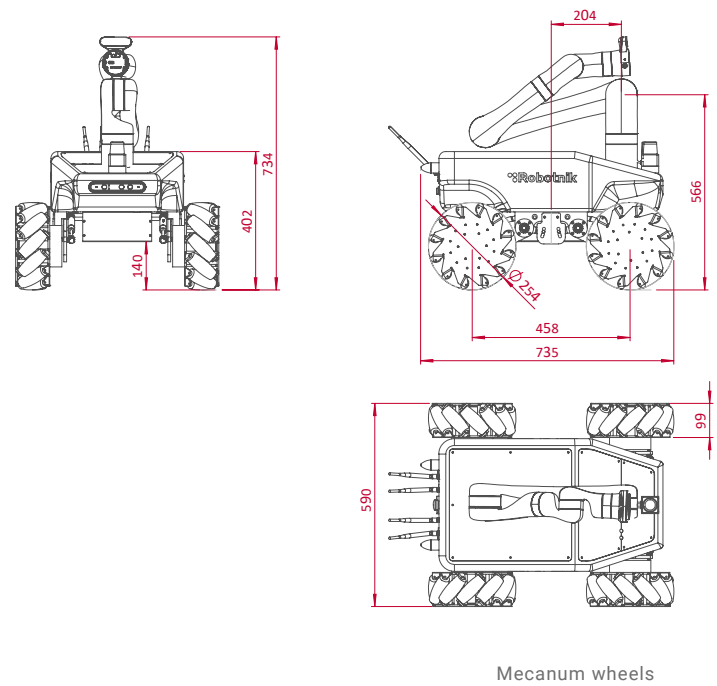
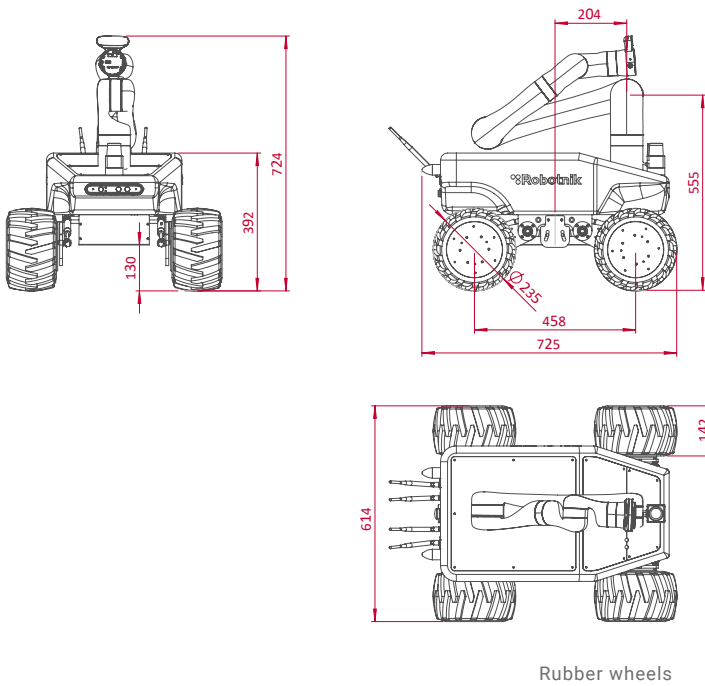
INSPECTION

LOGISTICS

REMOTE MONITORING

ACCESS TO HARSH ENVIRONMENTS





TECHNICAL SPECIFICATIONS

MECHANICAL

- Dimensions **720 x 613 x 708 mm**
- Weight **65 Kg + arm (4,5/6 Kg)**
- Payload **15 kg**
- Speed **3 m/s**
- Environment **Indoor/Outdoor**
- Enclosure class **IP54**
- Autonomy **Up to 10 h**
- Batteries **LiFePO₄ 15Ah@48V**
- Traction system **4 wheels**
- Traction motors **4 x 500 W brushless servomotors**
- Temperature range **0° to +50°C**
- Max. slope **80 %**

CONTROL

- Controller **Open architecture ROS Embedded PC with Linux**
- Communication **WiFi 802.11n**
- Connectivity **Internal: USB, RS232 and GPIO
External: USB, RJ45 and power supply 12 VDC**

Arm load capacity (Kinova)

- 6 DOF** 2,6 Kg (Half range)
2,2 Kg (Complete Range)
- 7 DOF** 2,4 Kg (Half range)
2,1 Kg (Complete Range)

Arm reach

- 6 DOF** 900 mm
- 7 DOF** 984 mm