

SUMMIT-XL STEEL

AUTONOMOUS MOBILE ROBOT (AMR)



MOBILE ROBOT WITH A
MECHANICAL STEEL STRUCTURE
THAT ALLOWS **CARRYING HEAVY
LOADS UP TO 250 KG**

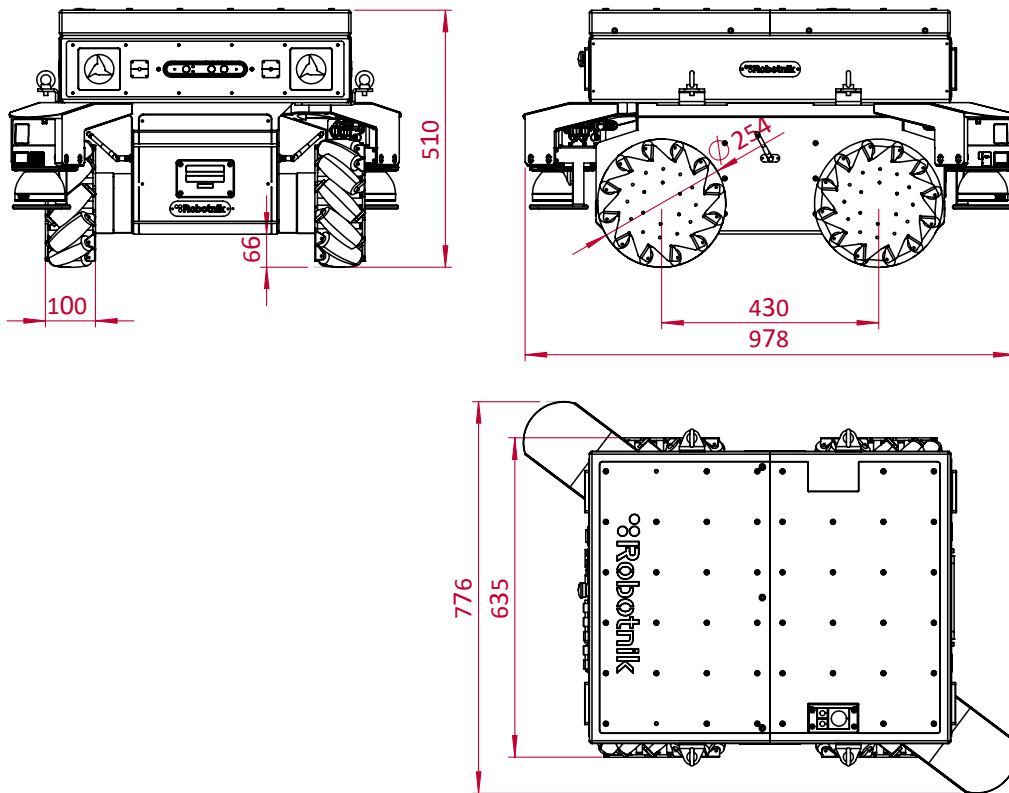
INDUSTRIAL APPLICATIONS

LOGISTICS

SURVEILLANCE & MONITORING

RESEARCH & DEVELOPMENT





TECHNICAL SPECIFICATIONS

MECHANICAL

Dimensions	978 x 776 x 510 mm
Weight	105 kg
Payload	Up to 250 kg
Speed	3 m / s
Environment	Indoor
Enclosure class	IP52
Autonomy	Up to 12 h
Batteries	LiFePO₄ 15Ah@48VDC or 30Ah@48VDC
Traction motors	4 x 500 W Brushless servomotors with safety brake
Temperature range	0° to +50°C
Max. slope	30 %

CONTROL

Controller	Open architecture ROS Integrated CPU with Linux
Communication	WiFi 02.11a / b / g / n / ac Bluetooth 5.1 (5G/4G optional)
Connectivity	USB, RJ45, power supplies 12, 24 VDC and battery