

RB-VOGUI

AUTONOMOUS MOBILE ROBOT (AMR)



INDOOR & OUTDOOR
LOGISTICS APPLICATIONS
DUE TO ITS **VERSATILITY**
& **HIGH MOBILITY**

INDUSTRIAL APPLICATIONS

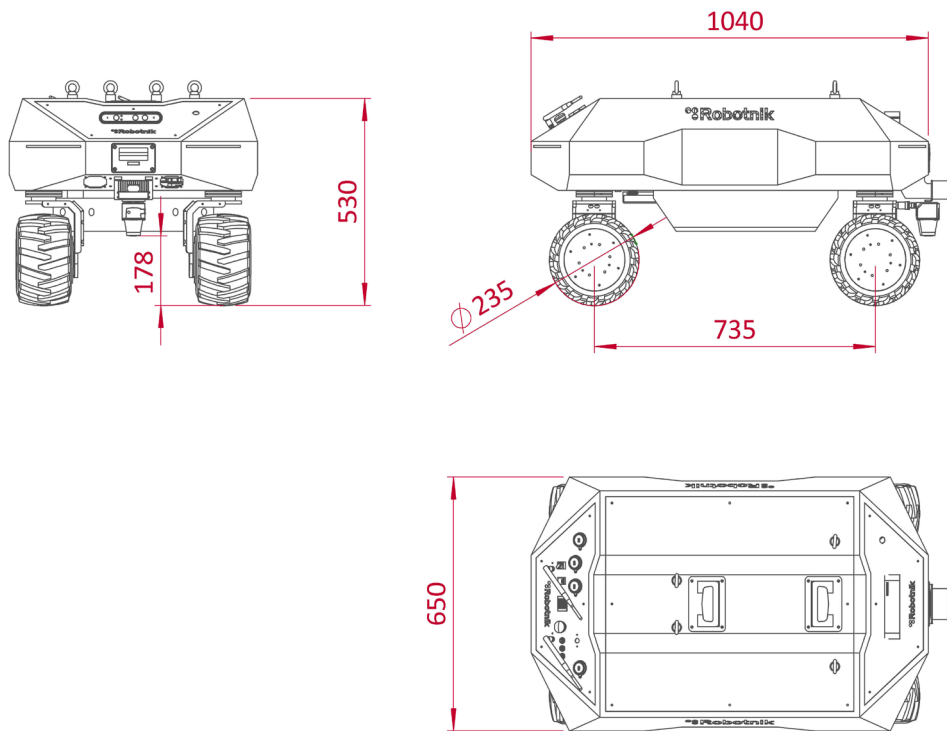
AGRICULTURE

MILITARY

ORDER PREPARATION DELIVERY

PICKING & TRANSPORT





TECHNICAL SPECIFICATIONS

MECHANICAL

Dimensions	1.040 x 650 x 530 mm
Weight	165 Kg
Speed	2,5 m/s
Environment	Indoor / Outdoor
Autonomy	Up to 6 h
Batteries	LiFePO4 30Ah@48V
Traction motors	4 x 500 W with break
Steering motors	4
Enclosure class	IP53
Temperature range	-10°C to +50°C
Payload	Up to 150 Kg
Max. Slope	47 %

CONTROL

Controller	Open architecture ROS Integrated PC with Linux
Communication	WiFi 02.11a / b / g / n / ac Bluetooth 5.1 (5G/4G optional)
Connectivity	USB, RJ45, HDMI, power supplies 12, 24 VDC and batteries