

RB-VOGUI XL

AUTONOMOUS MOBILE ROBOT

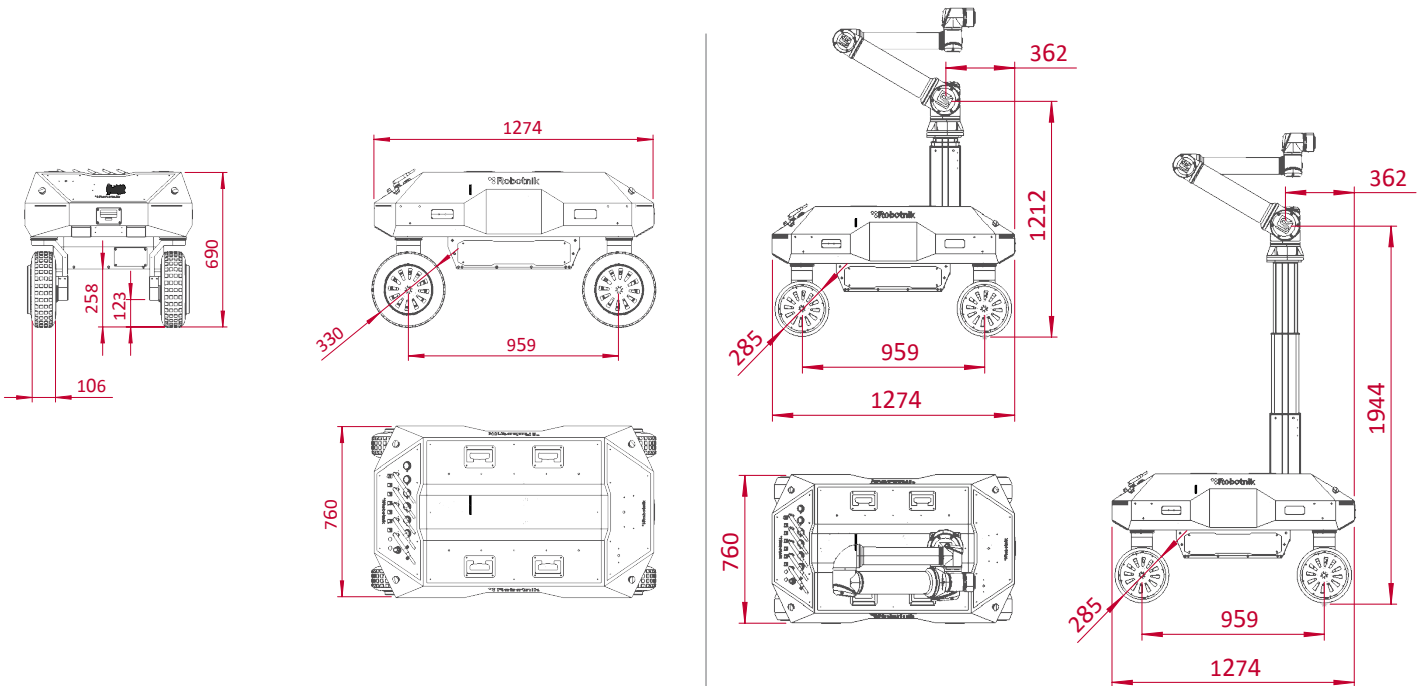


INDOOR & OUTDOOR
LOGISTICS APPLICATIONS

**HIGH VERSATILITY
& MOBILITY**

INDUSTRIAL APPLICATIONS
RESEARCH & DEVELOPMENT
PICKING & TRANSPORT
AGRICULTURE





TECHNICAL SPECIFICATIONS

MECHANICAL

Dimensions	1.274 x 760 x 690 mm
Weight	250 kg
Speed	1 m/s
Environment	Indoor / Outdoor
Autonomy	Up to 9 h
Batteries	LiFePO₄ 60Ah@48V
Traction motors	4 x 750 W (with brake)
Traction system	Omnidirectional / dual ackerman
Steering motors	4
Enclosure class	IP50 (IP53 weatherproof optional)
Temperature range	-10°C to +45°C
Payload	Up to 200 Kg
Max. Slope	47 %

CONTROL

Controller	Open architecture ROS Integrated PC with Linux
Communication	WiFi 02.11a / b / g / n / ac Bluetooth 5.1 (5G/4G optional)
Connectivity	Internal: USB, RS232, RJ45 External: 2x USB, 2x RJ45, 1X HDMI + USB, 12, 24, 48 VDC power supply and batteries

OPTIONS

Telescopic column from 500 to 1400 mm

Plug and play integration of Universal Robots™ OEM DC e-series arms (dual arm optional)