

**DOCKING STATION FOR  
RB-SUMMIT/ RB-SUMMIT+  
RB-KAIROS / RB-KAIROS+**



THE CHARGING SYSTEM FEATURES AN **AUTOCENTERED BEHAVIOUR** OF THE ROBOT & SOME **SAFETY MEASURES** PREVENTING ELECTRICAL HAZARDS:

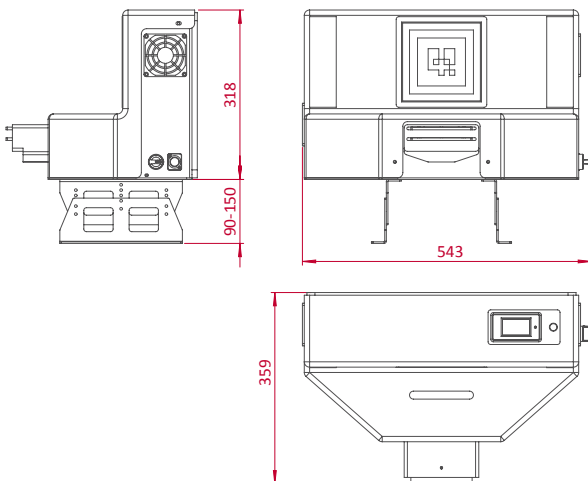
The robot contacts are equipped with an internal circuitry and a magnetic sensor

Internal circuitry permits the current flow only when the robot approaches the docking station

Also these values of current, voltage and power are shown in the docking display

The autocentered is performed by tracking an AR tag or using LIDAR intensity data

**TECHNICAL SPECIFICATIONS**



Dimensions for **RB-SUMMIT / RB-SUMMIT+**: 543 x 359 x 445 mm

Dimensions for **RB-KAIROS / RB-KAIROS+**: 543 x 359 x 435 mm

Charging indicator display

Robot presence activation condition

Manual charge possibility

Automated LEDs for illuminating the QR codes

Charging power: 600W (1000W or 1600W optional)