

CHARGING STATION FOR

RB-ROBOUT
RB-ROBOUT 



THE CHARGING SYSTEM FEATURES AN **AUTOCENTERED BEHAVIOUR** OF THE ROBOT & SOME **SAFETY MEASURES** PREVENTING ELECTRICAL HAZARDS:

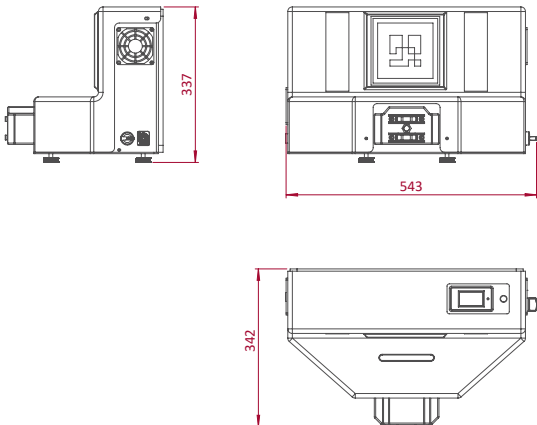
The robot contacts are equipped with an internal circuitry and a magnetic sensor.

Internal circuitry permits the current flow only when the robot approaches the docking station.

Also these values of current, voltage and power are shown in the docking display.

The autocentered is performed by tracking an AR tag or using LIDAR intensity data.

TECHNICAL SPECIFICATIONS



Dimensions: 543 x 342 x 337 mm

Charging indicator display

Robot presence activation condition

Automated LEDs for illuminating the QR codes

Charging power: 2500 W